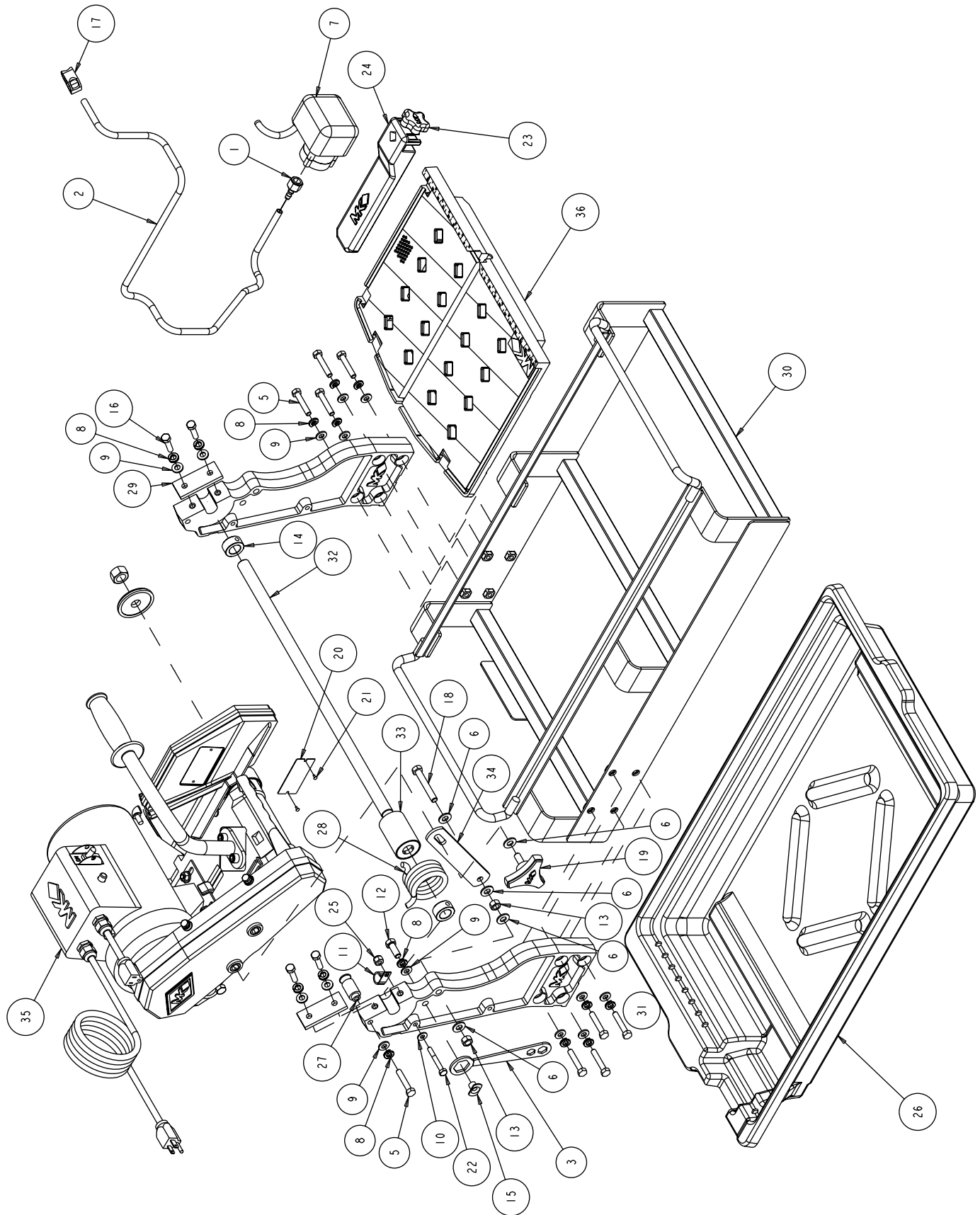


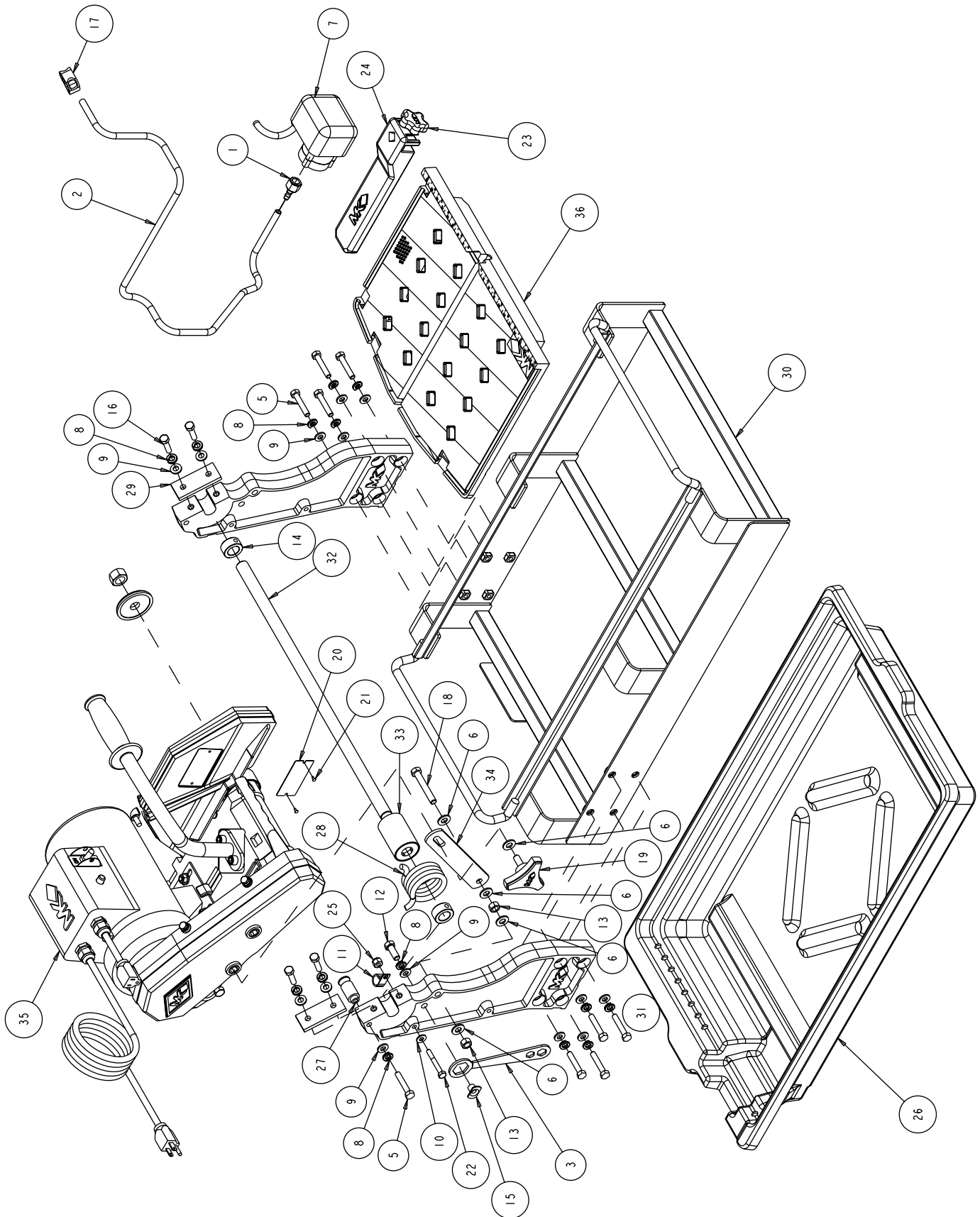
PAVER SAW, MK-1080, 1.5 HP 120V 60HZ, 153203



**PAVER SAW, MK-1080, 1.5 HP 120V 60HZ, 153203**

ITEM NO.	DESCRIPTION	PART OR IDENTIFYING NO.	QTY. REQ.
1	FITTING, PLASTIC, 1/4 FNPT X 1/4 BARB	128397	1
2	HOSE, VINYL, 3/8 X 1/4	132951	1
3	WRENCH	134684	1
5	SCREW, 5/16-18 X 1-3/4 HEX HEAD CAP	150919	9
6	WASHER, 3/8 SAE FLAT	150923	5
7	PUMP, WATER, G-150A	151271	1
8	WASHER, LOCK, SPLIT, 5/16	151747	14
9	WASHER, SAE FLAT, 5/16	151754	14
10	WASHER, 1/4 SAE FLAT	151915	1
11	CLAMP, 1/2 CUSHION LOCK	152471	1
12	SCREW, HEX HEAD CAP, 3/8-16 X 1	152507	1
13	NUT, 3/8-16 HEX CENTERLOCK	153522	2
14	COLLAR, 3/4" I.D.	153814	2
15	NUT, WELD, SLAB, 3/8-16	153945	1
16	SCREW, 5/16-18 X 1-1/4 HEX HEAD MACHINE	153950	4
17	CLAMP, HOSE, 1/2-3/4	154394	1
18	BOLT, 3/8-16 X 2-1/2 HEX HEAD TAP	155589	1
19	KNOB, TRI	156770-01	1
20	TAG, SERIAL #, BLANK	157500-RW	1
21	DRIVE SCREW, #7 X 5/16 ROUND HEAD	157849	2
22	SCREW, HEX HEAD 1/4-20 X 1-1/4	158282	1
23	KNOB, 1/4-20 X 3/4	159428-1	1
24	RIP GUIDE, LARGE DIE CAST (COMP)	159751	1
25	NUT, 1/4-20 NYLOK	159857	1
26	PAN, WATER	160041	1
27	STUD, SPRING RETAINING	160066	1
28	SPRING, TORSION, 50 DEG	160069	1
29	BRACKET, PIVOT SHAFT	160070	2
30	WELDMENT, FRAME	166865	1
31	CASTING POST (COMP)	166871	2
32	SHAFT, PIVOT	166873	1
33	ASSY, SPRING BUSHING	166874	1
34	BRACKET, HEIGHT ADJUSTMENT	166875	2
35	ASSY, CUTTING HEAD	166877	1
36	ASSY, TABLE	166880	1

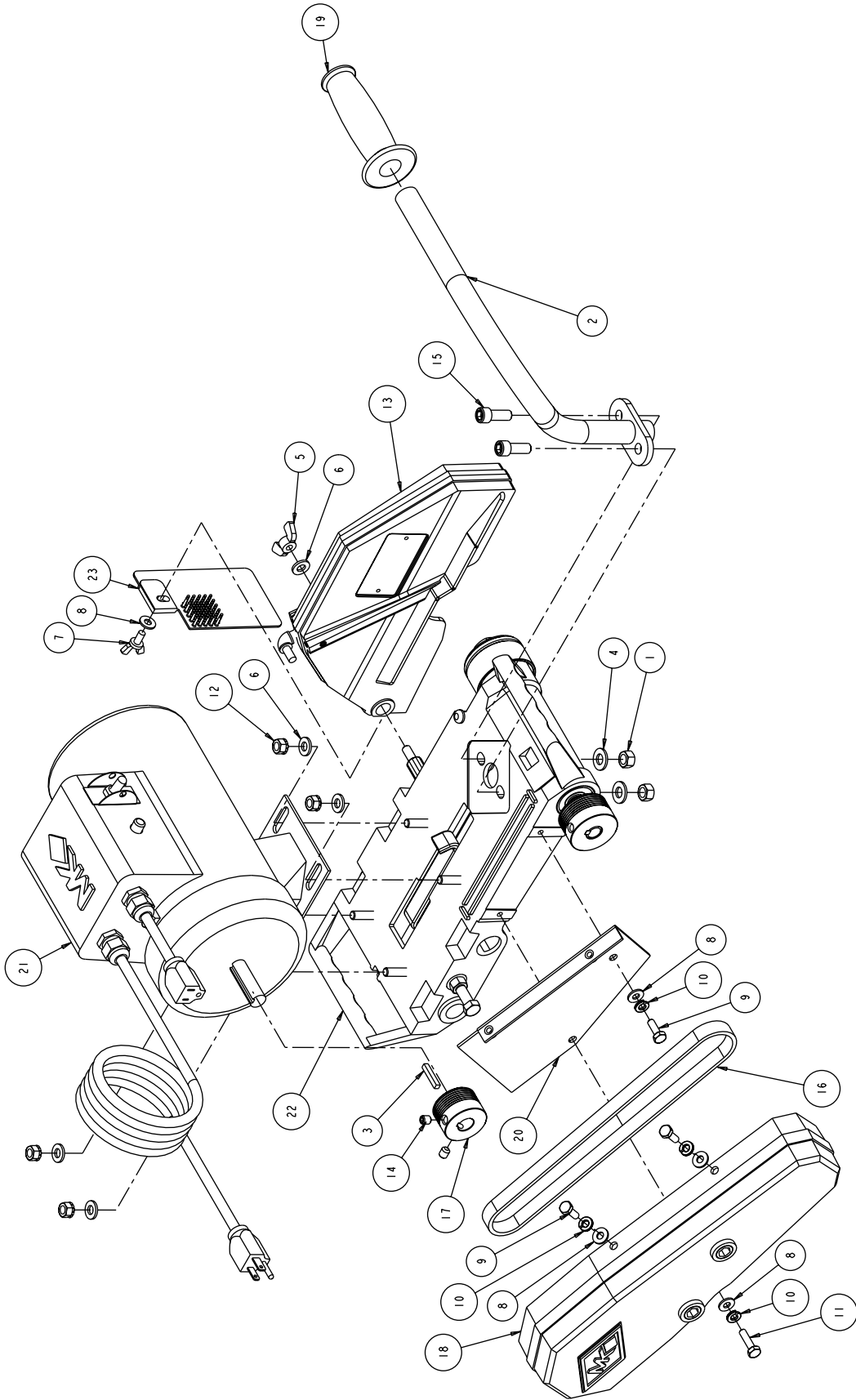
PAVER SAW, MK-1080 HOME DEPOT, 1.5 HP 120V 60HZ, 153203-HD



**PAVER SAW, MK-1080 HOME DEPOT, 1.5 HP 120V 60HZ, 153203-HD**

ITEM NO.	DESCRIPTION	PART OR IDENTIFYING NO.	QTY. REQ.
1	FITTING, PLASTIC, 1/4 FNPT X 1/4 BARB	128397	1
2	HOSE, VINYL, 3/8 X 1/4	132951	1
3	WRENCH	134684	1
5	SCREW, 5/16-18 X 1-3/4 HEX HEAD CAP	150919	9
6	WASHER, 3/8 SAE FLAT	150923	5
7	PUMP, WATER, G-150A	151271	1
8	WASHER, LOCK, SPLIT, 5/16	151747	14
9	WASHER, SAE FLAT, 5/16	151754	14
10	WASHER, 1/4 SAE FLAT	151915	1
11	CLAMP, 1/2 CUSHION LOCK	152471	1
12	SCREW, HEX HEAD CAP, 3/8-16 X 1	152507	1
13	NUT, 3/8-16 HEX CENTERLOCK	153522	2
14	COLLAR, 3/4" I.D.	153814	2
15	NUT, WELD, SLAB, 3/8-16	153945	1
16	SCREW, 5/16-18 X 1-1/4 HEX HEAD MACHINE	153950	4
17	CLAMP, HOSE, 1/2-3/4	154394	1
18	BOLT, 3/8-16 X 2-1/2 HEX HEAD TAP	155589	1
19	KNOB, TRI	156770-01	1
20	TAG, SERIAL #, BLANK	157500-RW	1
21	DRIVE SCREW, #7 X 5/16 ROUND HEAD	157849	2
22	SCREW, HEX HEAD 1/4-20 X 1-1/4	158282	1
23	KNOB, 1/4-20 X 3/4	159428-1	1
24	RIP GUIDE, LARGE DIE CAST (COMP)	159751	1
25	NUT, 1/4-20 NYLOK	159857	1
26	PAN, WATER	160041	1
27	STUD, SPRING RETAINING	160066	1
28	SPRING, TORSION, 50 DEG	160069	1
29	BRACKET, PIVOT SHAFT	160070	2
30	WELDMENT, FRAME	166865	1
31	CASTING POST (COMP)	166871-HD	2
32	SHAFT, PIVOT	166873	1
33	ASSY, SPRING BUSHING	166874	1
34	BRACKET, HEIGHT ADJUSTMENT	166875	2
35	ASSY, CUTTING HEAD	166877-HD	1
36	ASSY, TABLE	166880	1

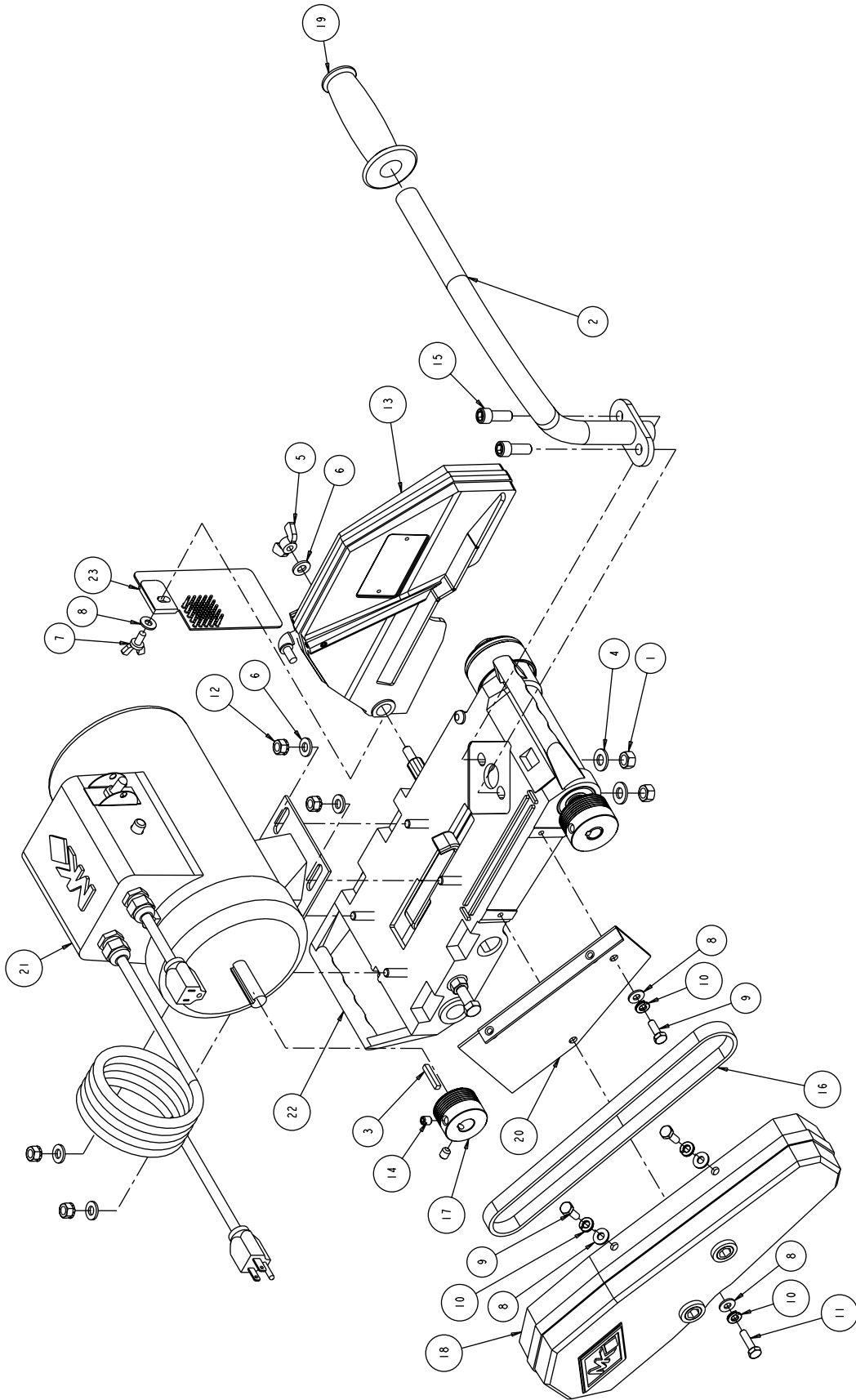
PAVER SAW, MK-1080 ASSY, CUTTING HEAD, 166877



**PAVER SAW, MK-1080 ASSY, CUTTING HEAD, 166877**

ITEM NO.	DESCRIPTION	PART OR IDENTIFYING NO.	QTY. REQ.
1	NUT, 3/8-16 HEX	101188	2
2	HANDLE, BRICKSAW	139931	1
3	KEY, 3/16 SQ X 1-1/8	150344	1
4	WASHER, 3/8 SAE FLAT	150923	2
5	WINGNUT, 5/16-18 NYLOK	151746	1
6	WASHER, 5/16 SAE FLAT	151754	5
7	SCREW, WING, 1/4-20 X 1/2	151888	1
8	WASHER, 1/4 SAE FLAT	151915	5
9	SCREW, 1/4-20 X 3/4 HEX HEAD MACHINE	152370	3
10	WASHER, 1/4 SPLIT LOCK	152591	4
11	SCREW, HEX HD CAP, 1/4-20 X 1	152676	1
12	NUT, HEX, TW, 5/16-18	153942	4
13	ASSY, BLADE GUARD	154297	1
14	SCREW, 5/16-18 X 3/8 SOCKET HEAD SET	157083	2
15	SCREW, SOCKET HEAD CAP, 3/8-16 X 1	157529	2
16	BELT, MCIRO-V, 260J6	158194	1
17	PULLEY, 6J17 X 5/8 BORE	158214	1
18	GUARD, BELT (COMP)	158319-15	1
19	GRIP, HANDLE, 7/8 ID	158608	1
20	BRACKET, INNER BELTGUARD	158611	1
21	MOTOR, 115V, 1-1/2 HP	160127	1
22	ASSY, MOTOR MOUNT	166878	1
23	GUARD, SPLASH, MODIFIED	167172	1

**PAVER SAW, MK-1080 HOME DEPOT ASSY, CUTTING HEAD, 166877-HD**

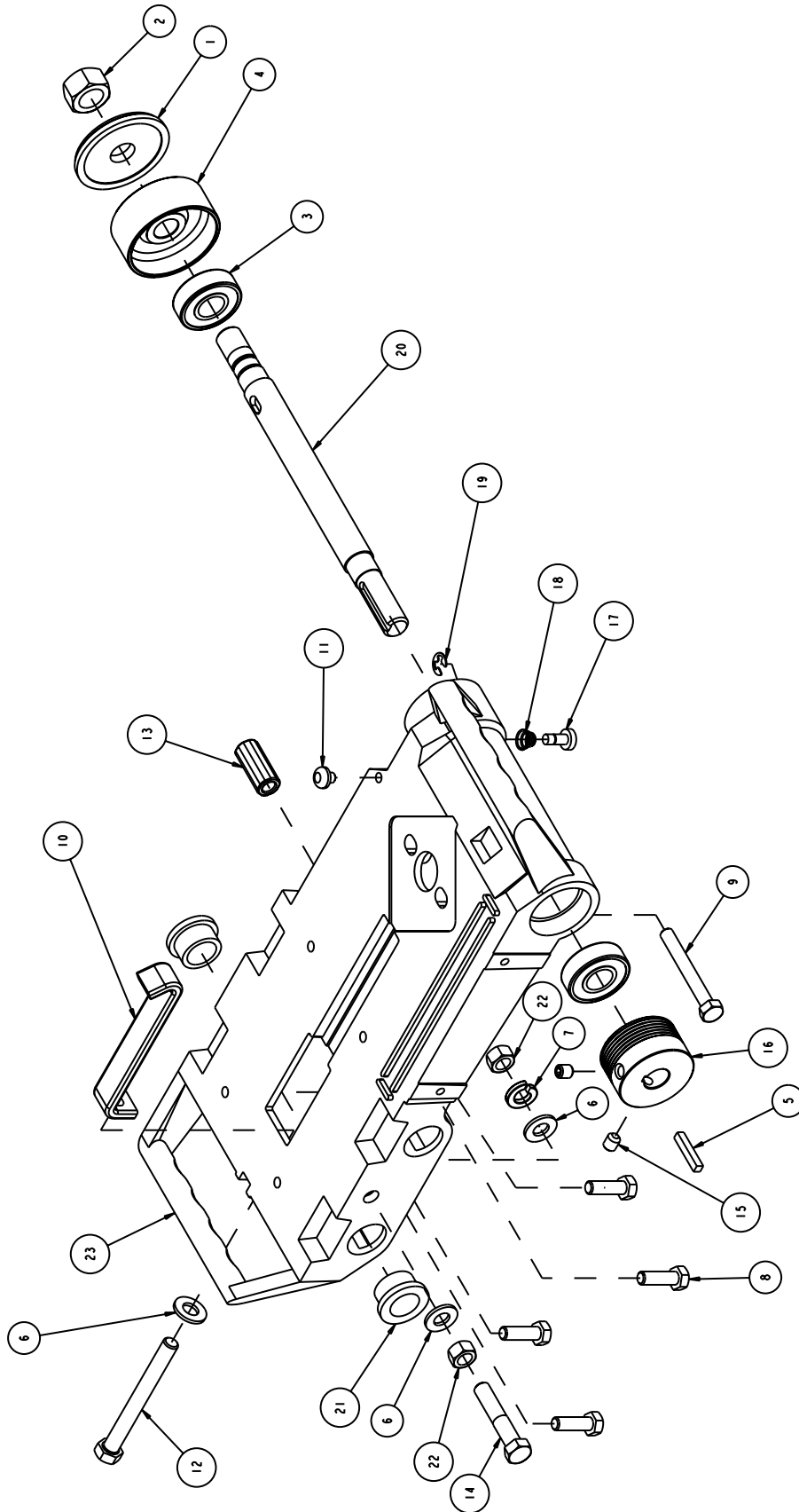


**PAVER SAW, MK-1080 HOME DEPOT ASSY, CUTTING HEAD, 166877-HD**

ITEM NO.	DESCRIPTION	PART OR IDENTIFYING NO.	QTY. REQ.
1	NUT, 3/8-16 HEX	101188	2
2	HANDLE, BRICKSAW	139931	1
3	KEY, 3/16 SQ X 1-1/8	150344	1
4	WASHER, 3/8 SAE FLAT	150923	2
5	WINGNUT, 5/16-18 NYLOK	151746	1
6	WASHER, 5/16 SAE FLAT	151754	5
7	SCREW, WING, 1/4-20 X 1/2	151888	1
8	WASHER, 1/4 SAE FLAT	151915	5
9	SCREW, 1/4-20 X 3/4 HEX HEAD MACHINE	152370	3
10	WASHER, 1/4 SPLIT LOCK	152591	4
11	SCREW, HEX HD CAP, 1/4-20 X 1	152676	1
12	NUT, HEX, TW, 5/16-18	153942	4
13	ASSY, BLADE GUARD	154297-HD	1
14	SCREW, 5/16-18 X 3/8 SOCKET HEAD SET	157083	2
15	SCREW, SOCKET HEAD CAP, 3/8-16 X 1	157529	2
16	BELT, MCIRO-V, 260J6	158194	1
17	PULLEY, 6J17 X 5/8 BORE	158214	1
18	GUARD, BELT (COMP)	158319-HD	1
19	GRIP, HANDLE, 7/8 ID	158608	1
20	BRACKET, INNER BELTGUARD	158611	1
21	MOTOR, 115V, 1-1/2 HP	160127	1
22	ASSY, MOTOR MOUNT	166878-HD	1
23	GUARD, SPLASH, MODIFIED	167172	1



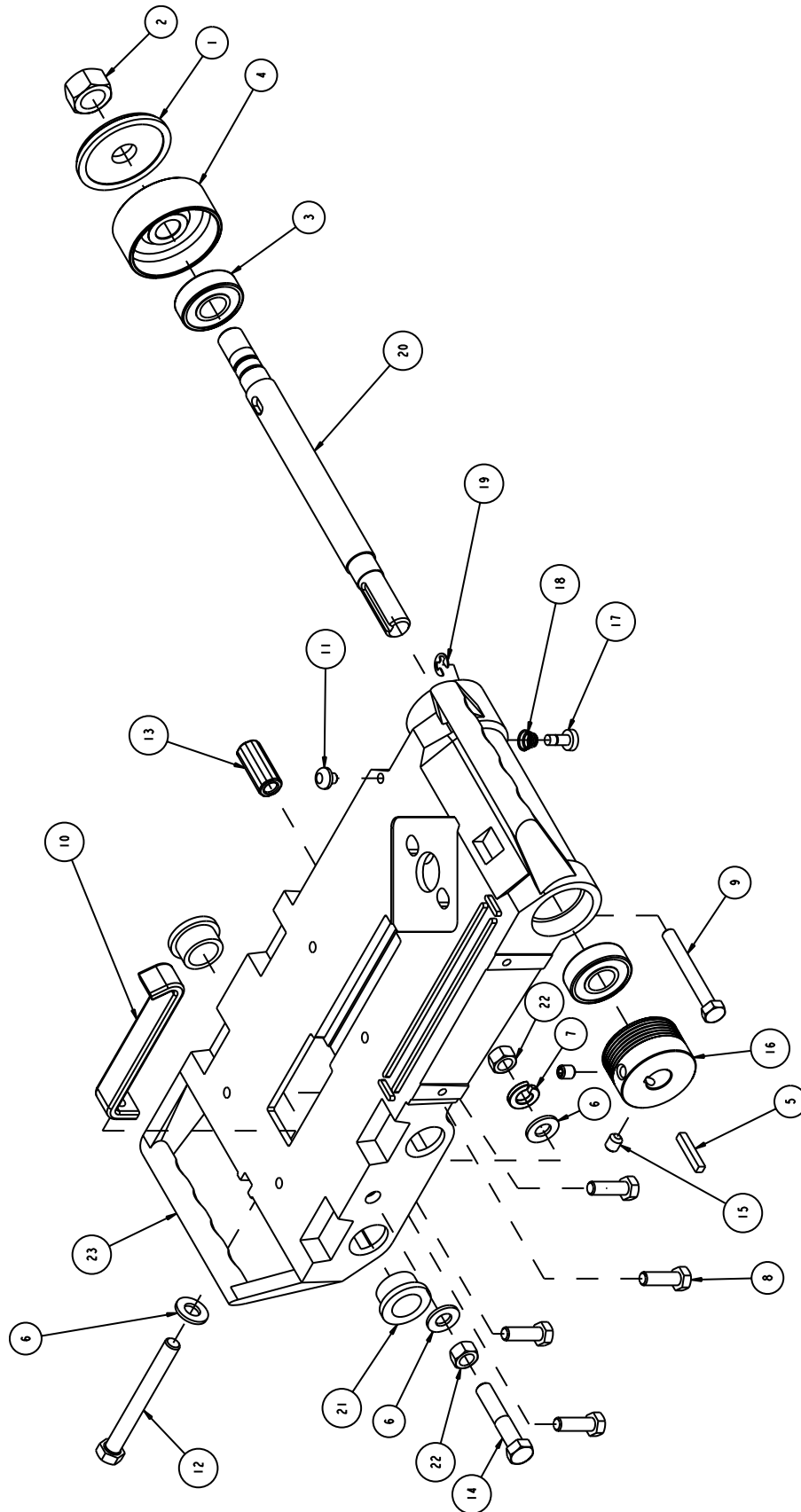
PAVER SAW, MK-1080 ASSY, MOTOR MOUNT, 166878



**PAVER SAW, MK-1080 ASSY, MOTOR MOUNT, 166878**

ITEM NO.	DESCRIPTION	PART OR IDENTIFYING NO.	QTY. REQ.
1	FLANGE, OUTER	135830	1
2	NUT, HEX, 5/16-18	135848	1
3	BEARING, BALL, 17 X 40 X 12 MM	137711	2
4	FLANGE, Ø2-3/8 INNER	137737	1
5	KEY, 3/16 SQ X 1-1/8	150344	1
6	WASHER, 3/8 SAE FLAT	150923	3
7	WASHER, 3/8 SPLIT LOCK	150925	1
8	SCREW, 5/16-18 X 1 HEX HEAD MACHINE	151743	4
9	BOLT, HEX HD TAP, 5/16-18 X 2-1/2	151748	1
10	STRAP, 1 INCH MOTOR ADJ.	152673	1
11	BUMPER, RUBBER, 1/2 DIA	152674	1
12	BOLT, 3/8-16 X 3-1/2 HEX HEAD TAP	153147	1
13	PIVOT, BLADE GUARD	153208	1
14	SCREW, HEX HD CAP, 3/8-16 X 2	153485	1
15	SCREW, 5/16-18 X 3/8 SOCKET HEAD SET	157083	2
16	PULLEY, 6J19 X 5/8 BORE	158199	1
17	BUTTON, SHAFT LOCK	158200	1
18	SPRING, BLADE SHAFT LOCK	158201	1
19	RING, 1/4 E-STYLE RETAINING	158202	1
20	SHAFT, BLADE	158222	1
21	BUSHING, 3/4 ID FLANGED	159207	2
22	NUT, 3/8-16 HEX	159863	2
23	MOUNT, MOTOR (COMP)	166879	1

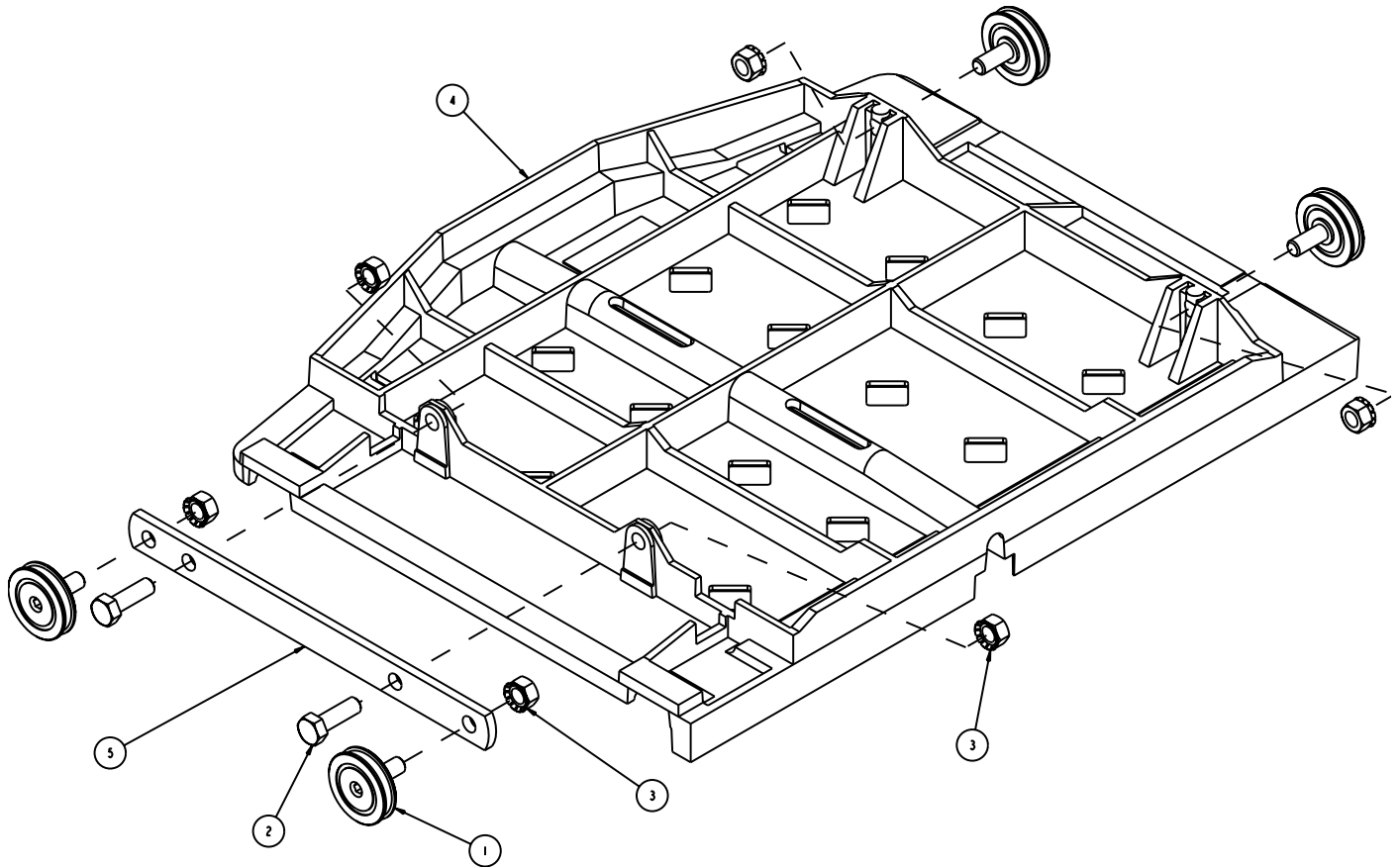
PAVER SAW, MK-1080 HOME DEPOT ASSY, MOTOR MOUNT, 166878-HD



**PAVER SAW, MK-1080 HOME DEPOT ASSY, MOTOR MOUNT, 166878-HD**

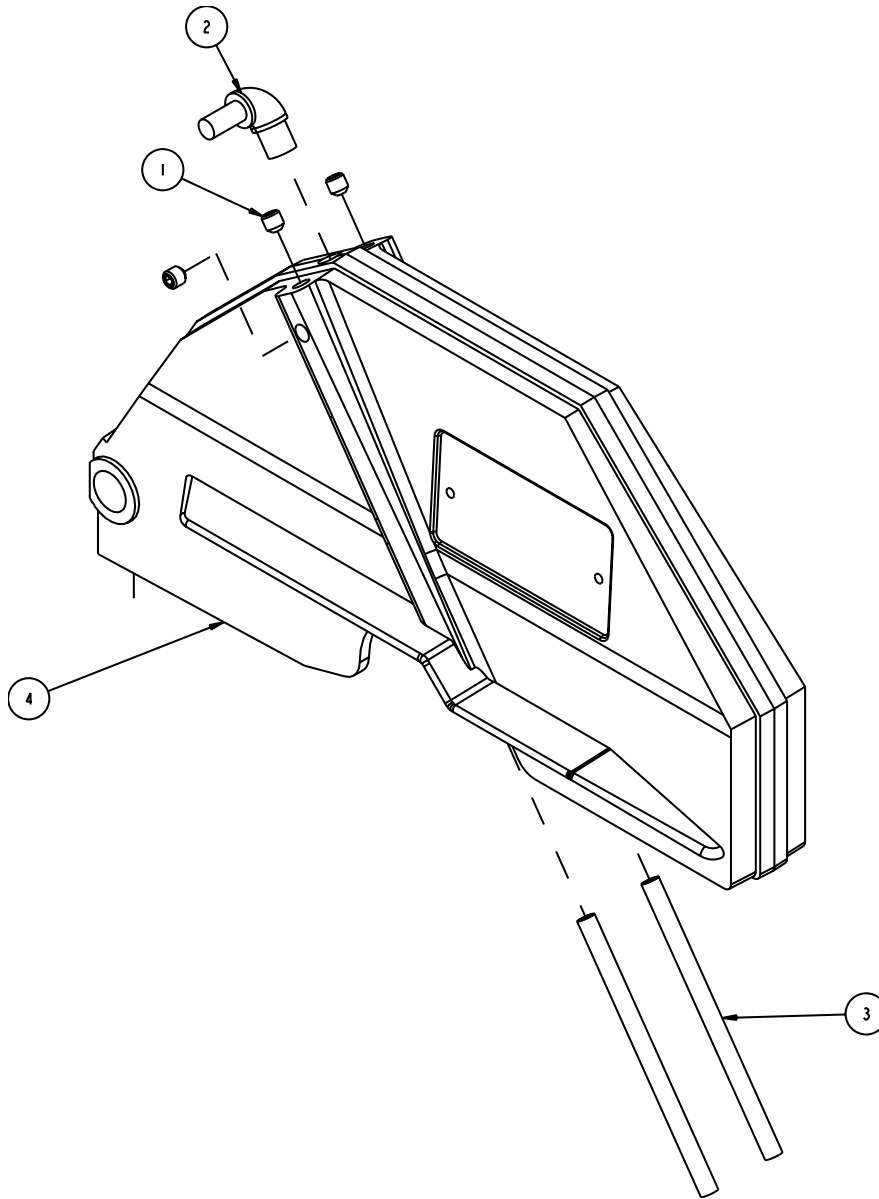
ITEM NO.	DESCRIPTION	PART OR IDENTIFYING NO.	QTY. REQ.
1	FLANGE, OUTER	135830	1
2	NUT, HEX, 5/16-18	135848	1
3	BEARING, BALL, 17 X 40 X 12 MM	137711	2
4	FLANGE, Ø2-3/8 INNER	137737	1
5	KEY, 3/16 SQ X 1-1/8	150344	1
6	WASHER, 3/8 SAE FLAT	150923	3
7	WASHER, 3/8 SPLIT LOCK	150925	1
8	SCREW, 5/16-18 X 1 HEX HEAD MACHINE	151743	4
9	BOLT, HEX HD TAP, 5/16-18 X 2-1/2	151748	1
10	STRAP, 1 INCH MOTOR ADJ.	152673	1
11	BUMPER, RUBBER, 1/2 DIA	152674	1
12	BOLT, 3/8-16 X 3-1/2 HEX HEAD TAP	153147	1
13	PIVOT, BLADE GUARD	153208	1
14	SCREW, HEX HD CAP, 3/8-16 X 2	153485	1
15	SCREW, 5/16-18 X 3/8 SOCKET HEAD SET	157083	2
16	PULLEY, 6J19 X 5/8 BORE	158199	1
17	BUTTON, SHAFT LOCK	158200	1
18	SPRING, BLADE SHAFT LOCK	158201	1
19	RING, 1/4 E-STYLE RETAINING	158202	1
20	SHAFT, BLADE	158222	1
21	BUSHING, 3/4 ID FLANGED	159207	2
22	NUT, 3/8-16 HEX	159863	2
23	MOUNT, MOTOR (COMP)	166879-HD	1

PAVER SAW, MK-1080 ASSY, TABLE, 166880



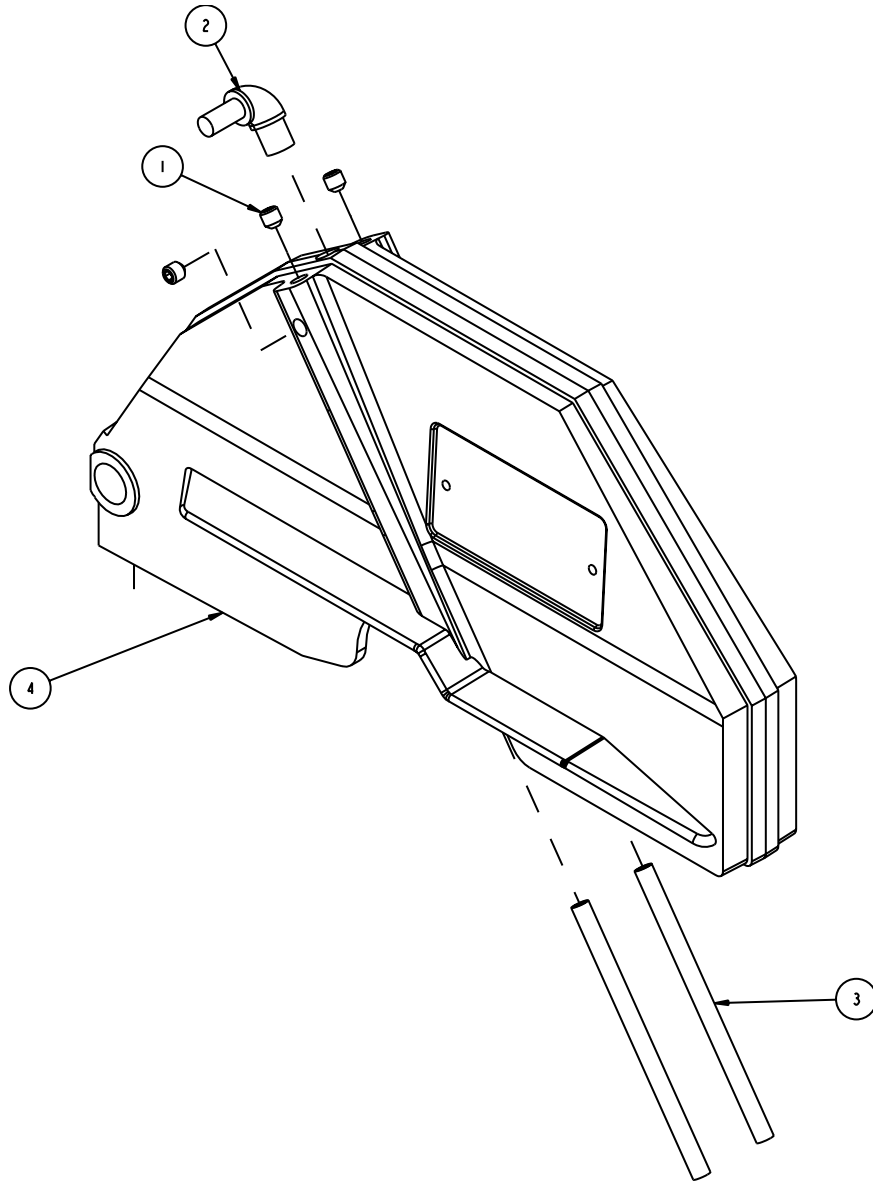
ITEM NO.	DESCRIPTION	PART OR IDENTIFYING NO.	QTY. REQ.
1	WHEEL, CONVEYOR CART	133090	4
2	SCREW, 5/16-18 X 1 HEX HEAD MACHINE	151743	2
3	NUT, HEX, TW, 5/16-18	153942	6
4	TABLE (COMP)	166881	1
5	BRACKET, TABLE WHEEL	167173	1

PAVER SAW, MK-1080 ASSY, BLADE GUARD, 154297



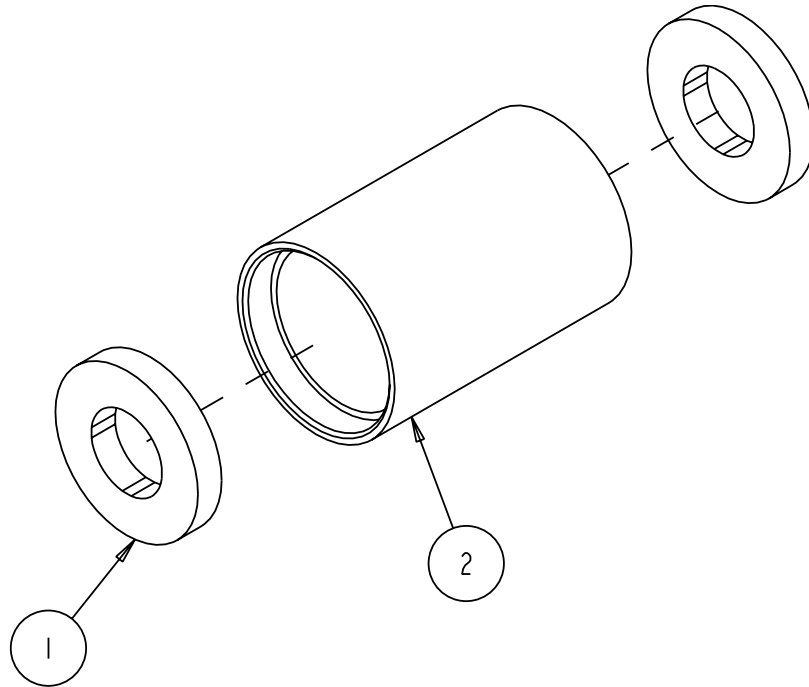
ITEM NO.	DESCRIPTION	PART OR IDENTIFYING NO.	QTY. REQ.
1	SCREW, 5/16-18 X 1/2 SOCKET HEAD SET	152607	3
2	ELBOW, 1/8 MNPT X 1/4 BARB, BRASS	154652	1
3	TUBE, WATER	155389	2
4	GUARD, BLADE (COMP)	155608	1

PAVER SAW, MK-1080 HOME DEPOT ASSY, BLADE GUARD, 154297-HD



ITEM NO.	DESCRIPTION	PART OR IDENTIFYING NO.	QTY. REQ.
1	SCREW, 5/16-18 X 1/2 SOCKET HEAD SET	152607	3
2	ELBOW, 1/8 MNPT X 1/4 BARB, BRASS	154652	1
3	TUBE, WATER	155389	2
4	GUARD, BLADE (COMP)	155608-OR	1

PAVER SAW, MK-1080, ASSY, SPRING BUSHING, 166874



ITEM NO.	DESCRIPTION	PART OR IDENTIFYING NO.	QTY. REQ.
1	GUIDE BAR COVER	152393	2
2	BUSHING, SPRING	166876	1